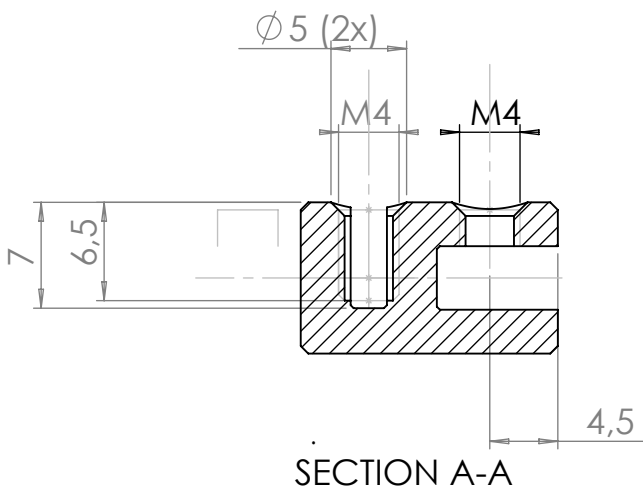
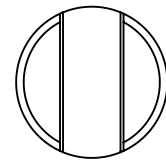
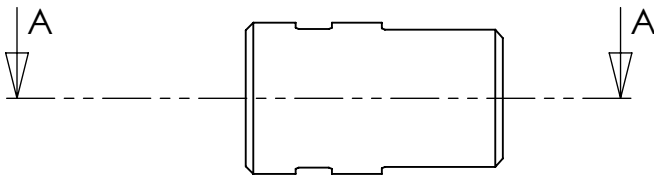
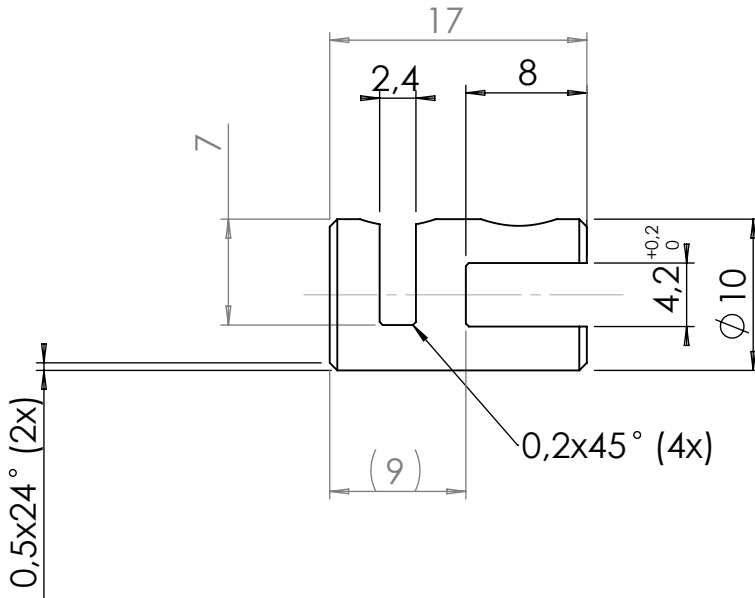


1:1



NO BURR OR SHARP EDGES
NICKELPLATED >3MICRON
OUTER APPEARANCE
ACCORDING APPROVED
SAMPLE